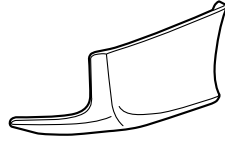
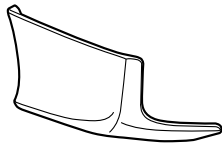


## PARTS LIST

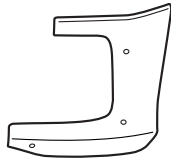
Right rear under spoiler



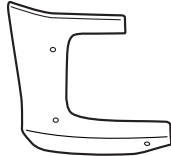
Left rear under spoiler



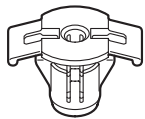
Right template



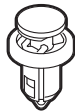
Left template



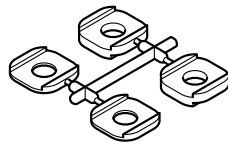
6 Clips



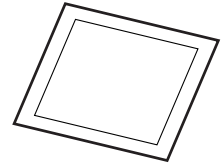
2 Bumper clips



Spacer



2 Alcohol swabs



## TOOLS AND SUPPLIES REQUIRED

Phillips screwdriver

Drill

3 mm, 10 mm, and 12 mm Drill bits

Pushpin

Eye protection (face shield, safety goggles, etc.)

File

Tape

Masking tape

Diagonal cutters

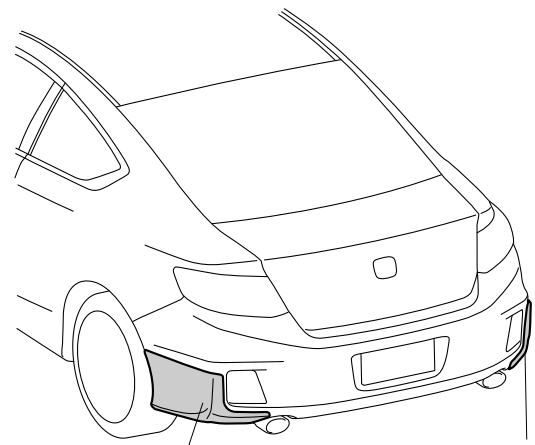
Electrical tape

Ruler

*The following tools are available through the Honda Tool and Equipment Program. On the iN, click on: Service > Service Bay > Tool and Equipment Program, then enter the number under "Search". Or, call 888-424-6857.*

- Rubber Roller (T/N MHLE540)
- Trim Tool Set (T/N SOJATP2014)

## Illustration of the Rear Under Spoilers on the Vehicle



**LEFT REAR  
UNDER SPOILER**

**RIGHT REAR  
UNDER SPOILER**

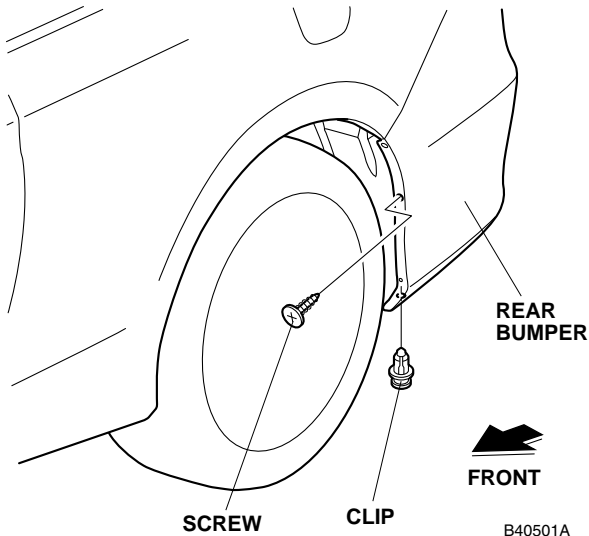
B40408A

## INSTALLATION

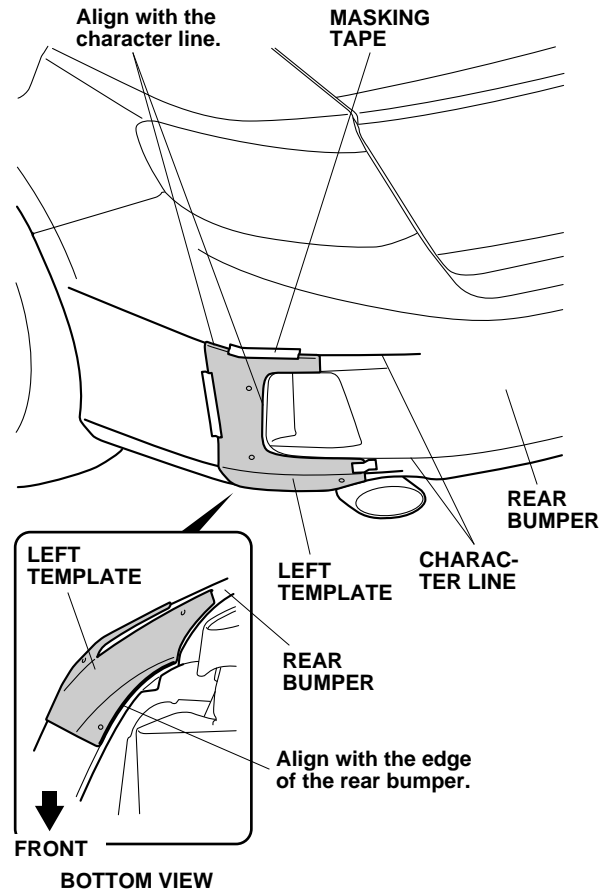
**Customer Information:** The information in this installation instruction is intended for use only by skilled technicians who have the proper tools, equipment, and training to correctly and safely add equipment to your vehicle. These procedures should not be attempted by “do-it-yourselfers.”

### NOTE:

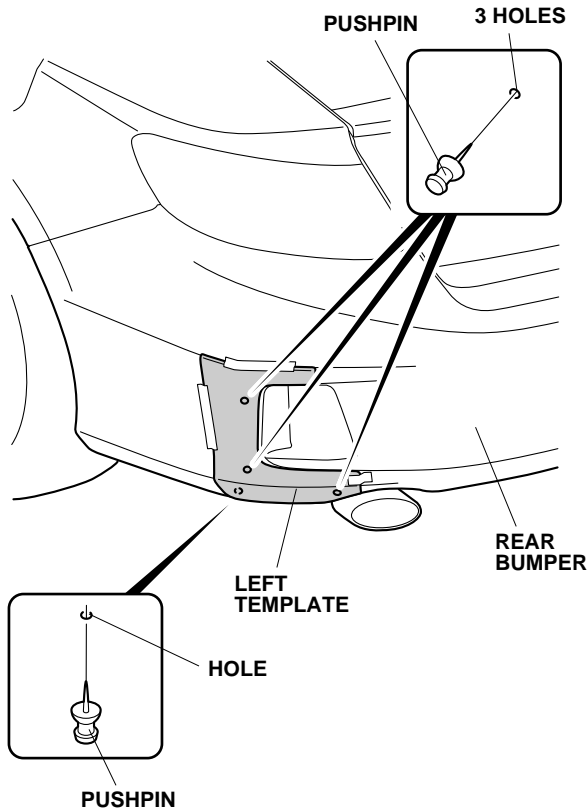
- Be careful not to damage the paint finish.
  - This kit should be installed only if the ambient air temperature is 15°C (60°F) or above.
  - Clean and wax the areas to be covered with a high-quality paste wax.
  - To allow the adhesive to cure, do not wash the vehicle for 24 hours. Please advise the customer.
1. Remove the clip and screw from the rear bumper.



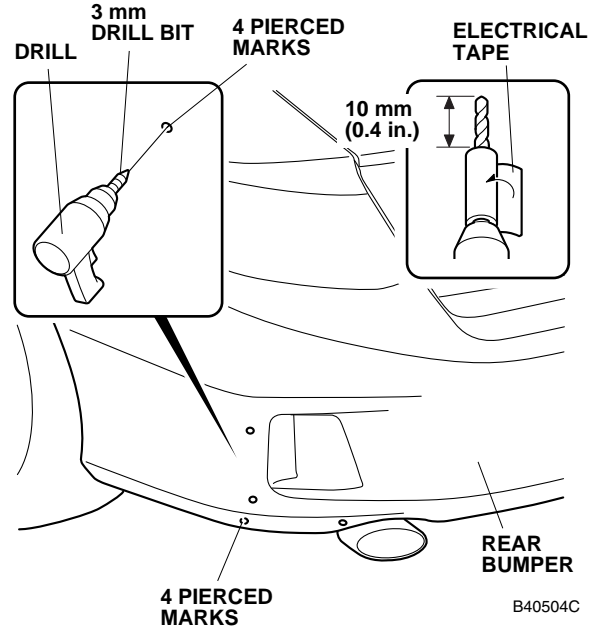
2. With the vehicle on a lift, align the left template on the left side of the rear bumper in the area shown, and tape it in place with masking tape.



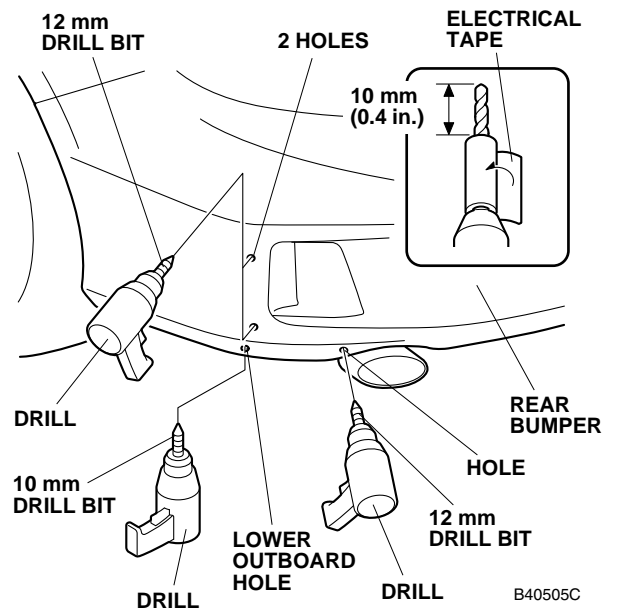
- Using a pushpin, pierce the rear bumper through the four holes in left template. Remove the left template.



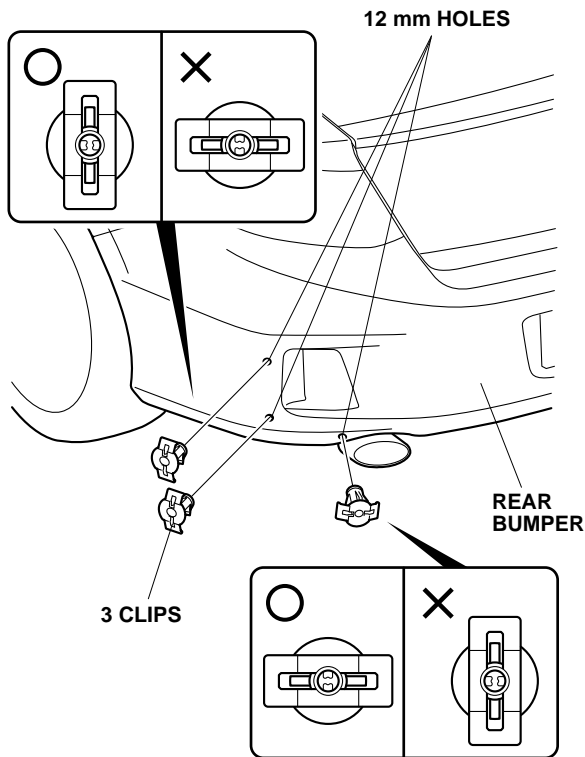
- While wearing eye protection, drill the rear bumper:
  - Wrap electrical tape around a 3 mm, 10 mm and 12 mm drill bit 10 mm (0.4 in.) away from the tip, or use a drill stop.
  - Using the 3 mm drill bit, drill the four pierced marks on the rear bumper.



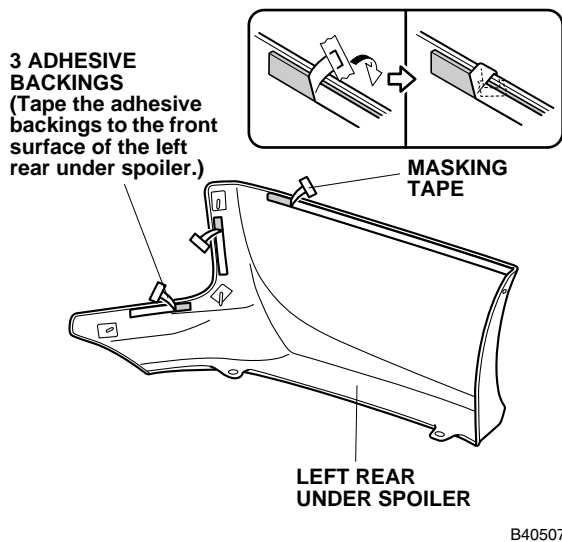
- Using a 10 mm drill bit, enlarge the lower outboard 3 mm hole to 10 mm. Remove any burrs.
- Using a 12 mm drill bit, enlarge the three remaining 3 mm holes to 12 mm. Remove any burrs.



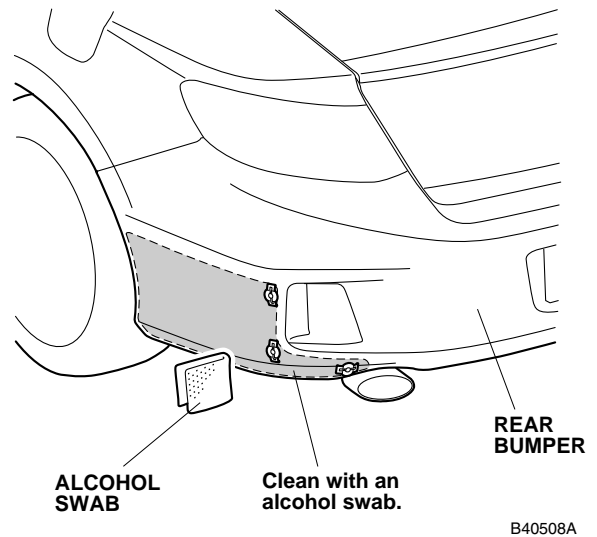
- Install one clip into each 12 mm hole in the direction shown. Push in each clip until you hear it “click,” then check to make sure the clips are secure in the rear bumper.



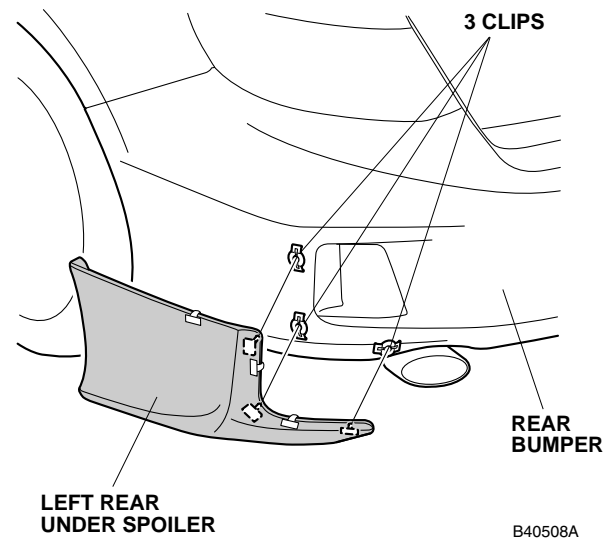
- Peel back the adhesive backings, and tape them to the front surface of the left rear under spoiler with masking tape.



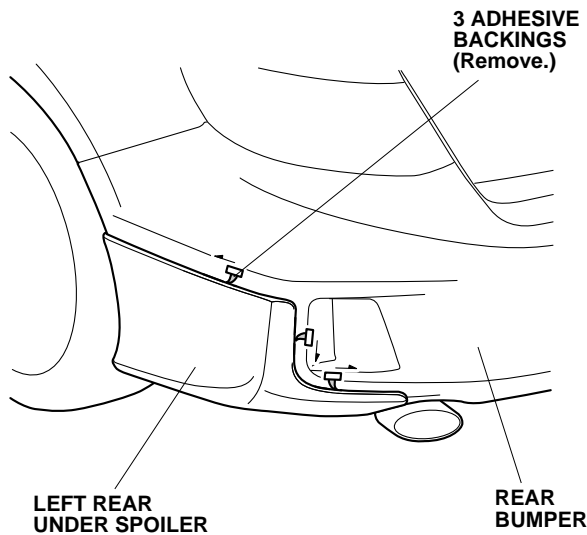
- Using one alcohol swab, thoroughly clean the rear bumper where the left rear under spoiler will attach.



- Install the left rear under spoiler to the rear bumper, and secure the left rear under spoiler with three clips.

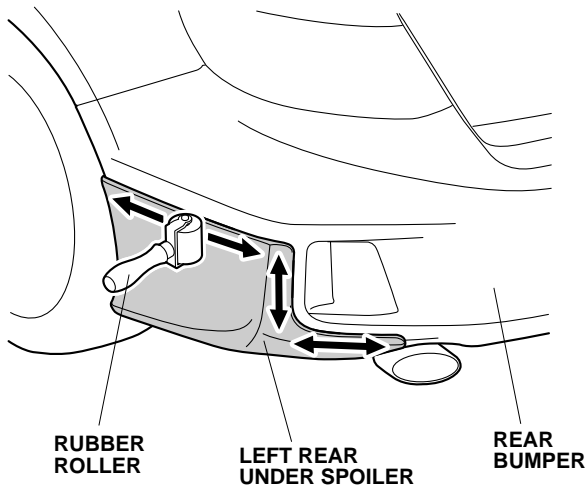


9. While applying light pressure against the left rear under spoiler, carefully remove the adhesive backings.



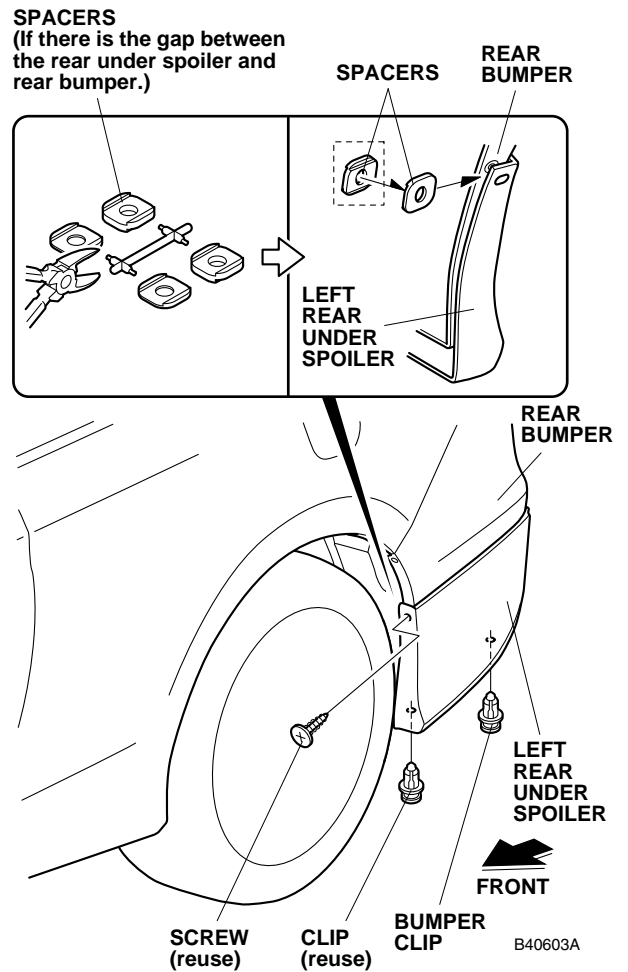
B40602A

10. Using your hand, firmly press the left rear under spoiler against the rear bumper for 30 seconds.
11. Using a rubber roller, apply firm pressure while rolling to set the adhesive, especially at the ends.



QB40604BY

12. Secure the left rear under spoiler with one bumper clip and one clip removed in step 1.



B40603A

13. Secure the left rear under spoiler with one screw removed in step 1.
  - Make sure there is no gap between the rear under spoiler and rear bumper. If there is the gap, use spacers to adjust the gap.
  - Spacer thickness of "1" and "2" represent 1 mm and 2 mm respectively.
  - Do not use two of the 2 mm spacers together. Using two of the 2 mm spacers will create an unsightly condition.
14. Repeat steps 1 through 13 to install the right rear under spoiler on the right side of the vehicle.